

AUTOVID BOAT SKIP

With automatic bale arm

WHITNEY

SECATOL



AUTOVID PA 4000 L

Use: Transport of earth, debris, wastes and concrete on building sites.

Presentation: The automatic bale arm system gives the crane operator the possibility to work in autonomy when handling and unloading the skip.

When unloading the slip, the crane operator lays the skip on the ground, the bale arm tilts in rear position and is automatically blocked with the cam. Therefore when lifting the skip, the blocked bale arm enables the skip to tilt vertically and the skip discharges itself.

Bucket: The shape and the core of the bucket guarantee the robustness of the skip.

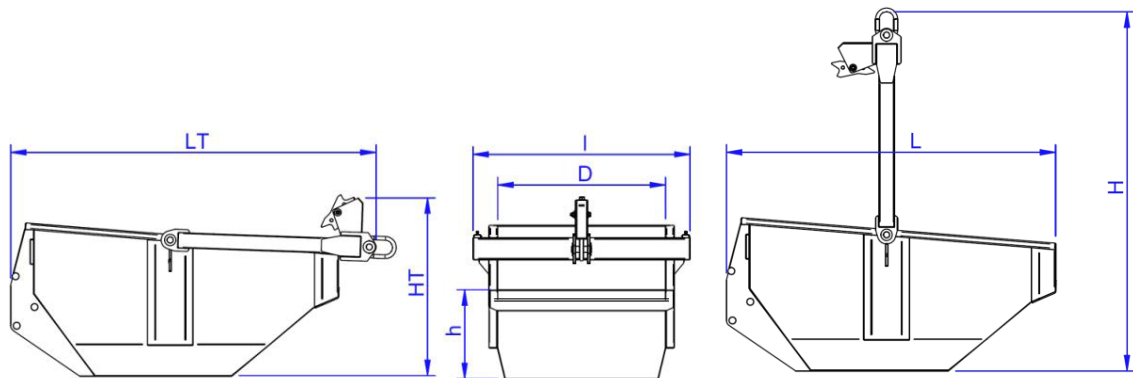
Finish: Painted (on request and depending on the capacity, it is possible to galvanize this skip).

Characteristics: The bucket is in 3 to 5mm steel according to the capacity and model.



Option:

- The skip can be fitted with a rubber bottom to ease the discharge when the product is sticky.



Product code	Designation	SWL (in Kg)	Capacity* (in Litres)	Liquid capacity (in litres)	D (in mm)	h (in mm)	L x l x H (in mm)	LT x lT x HT (in mm)	Net weight (in Kg)
13020PA	AUTOVID PA 200 L	360	230	124	520	320	1200 x 830 x 1310	1350 x 830 x 660	57
13030PA	AUTOVID PA 300 L	540	339	184	750	320	1200 x 1060 x 1310	1350 x 1060 x 660	65
13040PA	AUTOVID PA 400 L	720	462	254	730	385	1430 x 1040 x 1560	1620 x 1040 x 780	121
13050PA	AUTOVID PA 500 L	900	572	316	900	385	1430 x 1210 x 1560	1620 x 1210 x 780	132
13100PA	AUTOVID PA 1000 L	1800	1080	585	900	545	2180 x 1230 x 2200	2180 x 1230 x 1120	265
13150PA	AUTOVID PA 1500 L	2700	1640	980	1100	585	2410 x 1430 x 2370	2410 x 1430 x 1150	350
13200PA	AUTOVID PA 2000 L	3600	2080	1180	1375	585	2410 x 1700 x 2370	2410 x 1700 x 1150	400
13250PA	AUTOVID PA 2500 L	4500	2700	1420	1250	630	2810 x 1580 x 2800	2810 x 1580 x 1380	560
13300PA	AUTOVID PA 3000 L	5400	3200	1650	1450	630	2810 x 1780 x 2800	2810 x 1780 x 1380	600

*Geometric capacity, apply a coefficient depending on the nature of the concrete to calculate the useful capacity (other capacities on request)
These technical details are given for information purposes only. they can be changed without any notice.

WHITNEY

Ladybird House, Brockhill Yard, Hewell Lane, Redditch, B97 6QT
www.whitneyeng.com sales@whitneyeng.com 01785 282811
 Sole UK dealers for SECATOL Equipment

AUTOVID PA